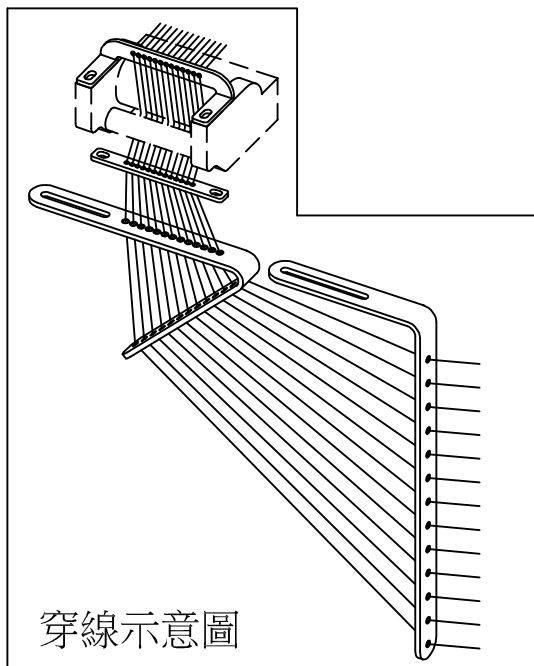
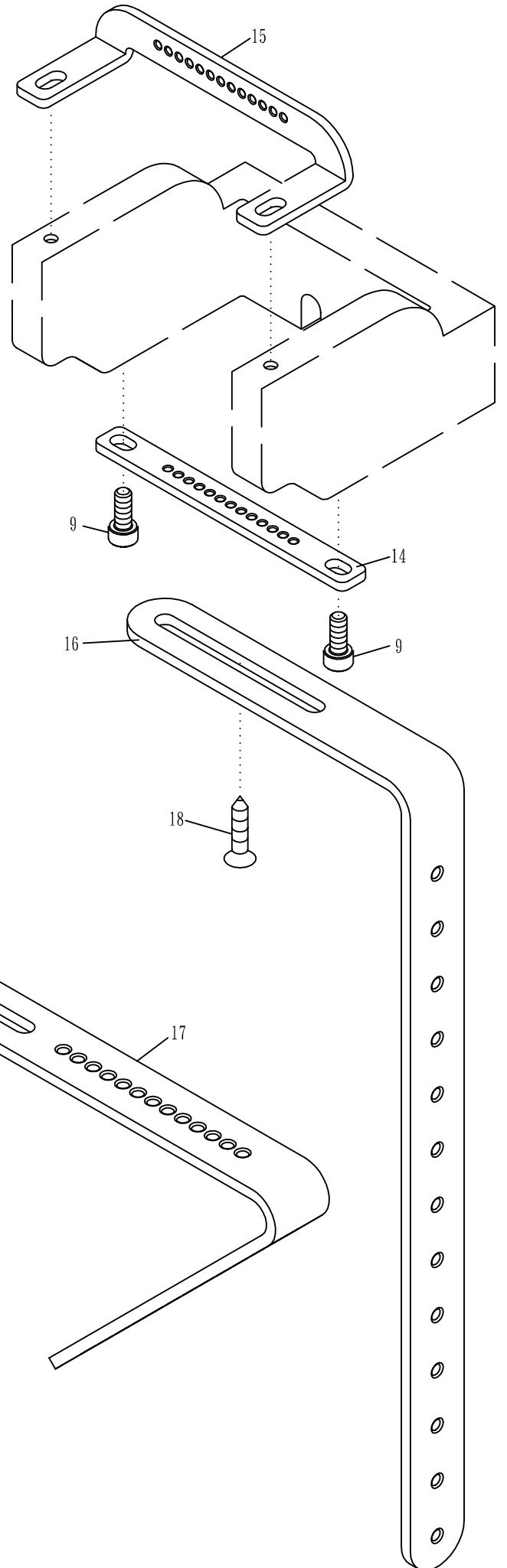
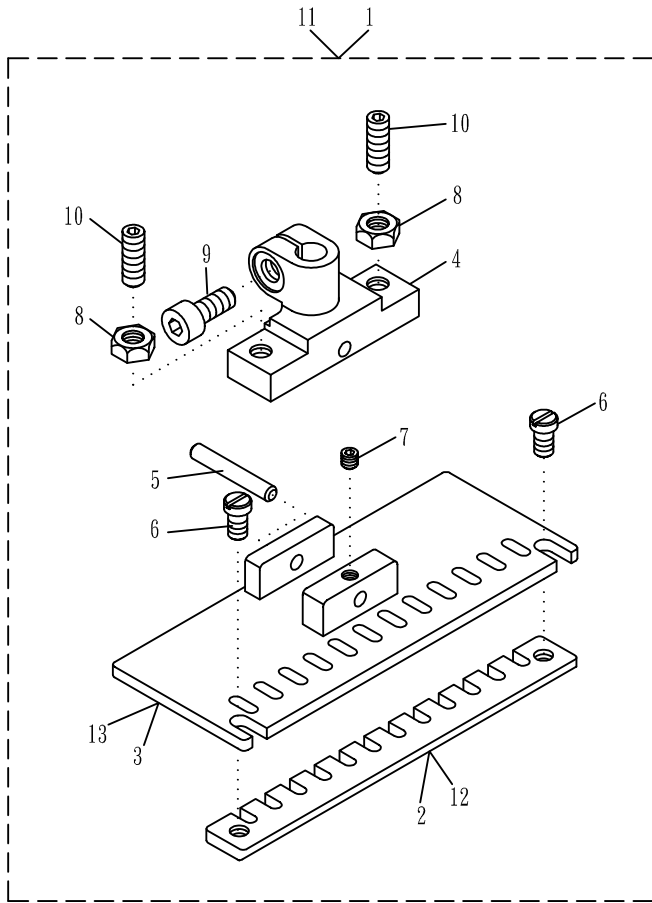


1. PS01A/PS01B 鬆緊線抽皺縫 Elastic Thread Shirring For PS01A/PS01B



穿線示意圖

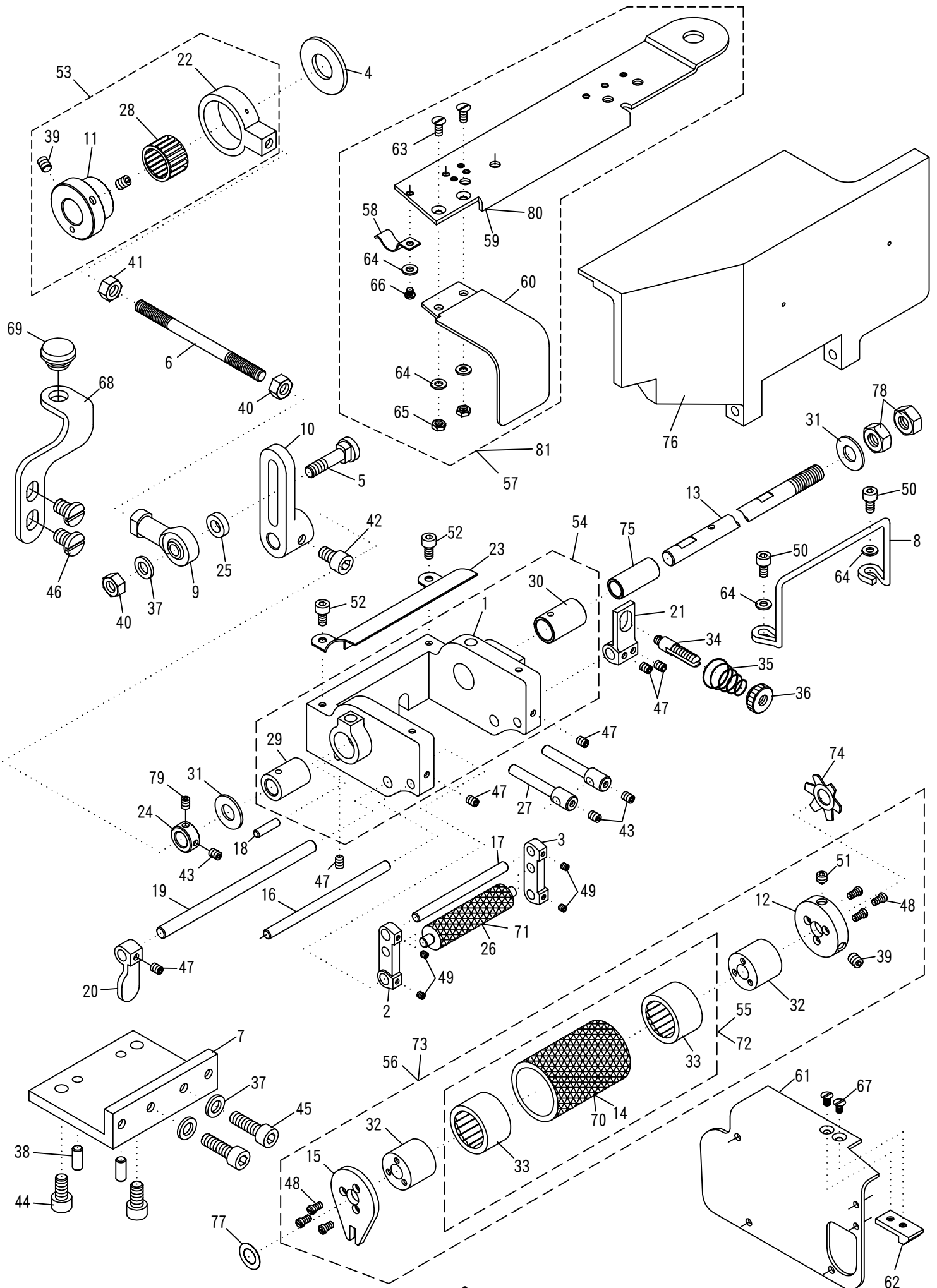
1. PS01A/PS01B 鬆緊線抽皺縫 Elastic Thread Shirring For PS01A/PS01B

序號 Ref.No.	物料編號 Parts No.	名稱 Description	單位用量 Amt. Req.
*1	5231PF1205	壓腳組 Presser Foot Asm. -----	1
2	5231PF1205B	輔助壓腳底 Assistant Presser Foot Guide -----	1
3	5231PF1205A	壓腳底 Presser Foot Guide -----	1
4	5231PF1205C	壓腳柄 Presser Foot Arm -----	1
5	5231PF0401E	固定銷 Pin -----	1
6	8MB85240505A	螺絲 Screw(M3.5-0.6*5) -----	2
7	8MN03200300A	螺絲 Screw(CT0115 M3-0.5*3) -----	1
8	8MN04280307A	螺帽 Nut -----	2
9	8MM04281007A	螺絲 Screw(FT0203 M4-0.7*10) -----	3
10	8MN04281200A	螺絲 Screw(M4-0.7*12) -----	2
**11	5231PF1206	壓腳組 Presser Foot Asm. -----	1
12	5231PF1206B	輔助壓腳底 Assistant Presser Foot Guide -----	1
13	5231PF1206A	壓腳底 Presser Foot Guide -----	1
14	4PS0010114	導線 Thread Guide -----	1
15	4PS0010115	導線 Thread Guide -----	1
16	4PS0010116	導線 Thread Guide -----	1
17	4PS0010117	導線 Thread Guide -----	1
18	8WE37002400A	木螺絲 Wood Screw(CL450427) -----	2
19	5231LL0004	結線鉤 Retainer Lopper (For Thick Thread Usage)-----	12

* PS01A 用 (1/4" 針距) 需整組購買 Must be sold in complete set

** PS01B 用 (3/16" 針距) 需整組購買 Must be sold in complete set

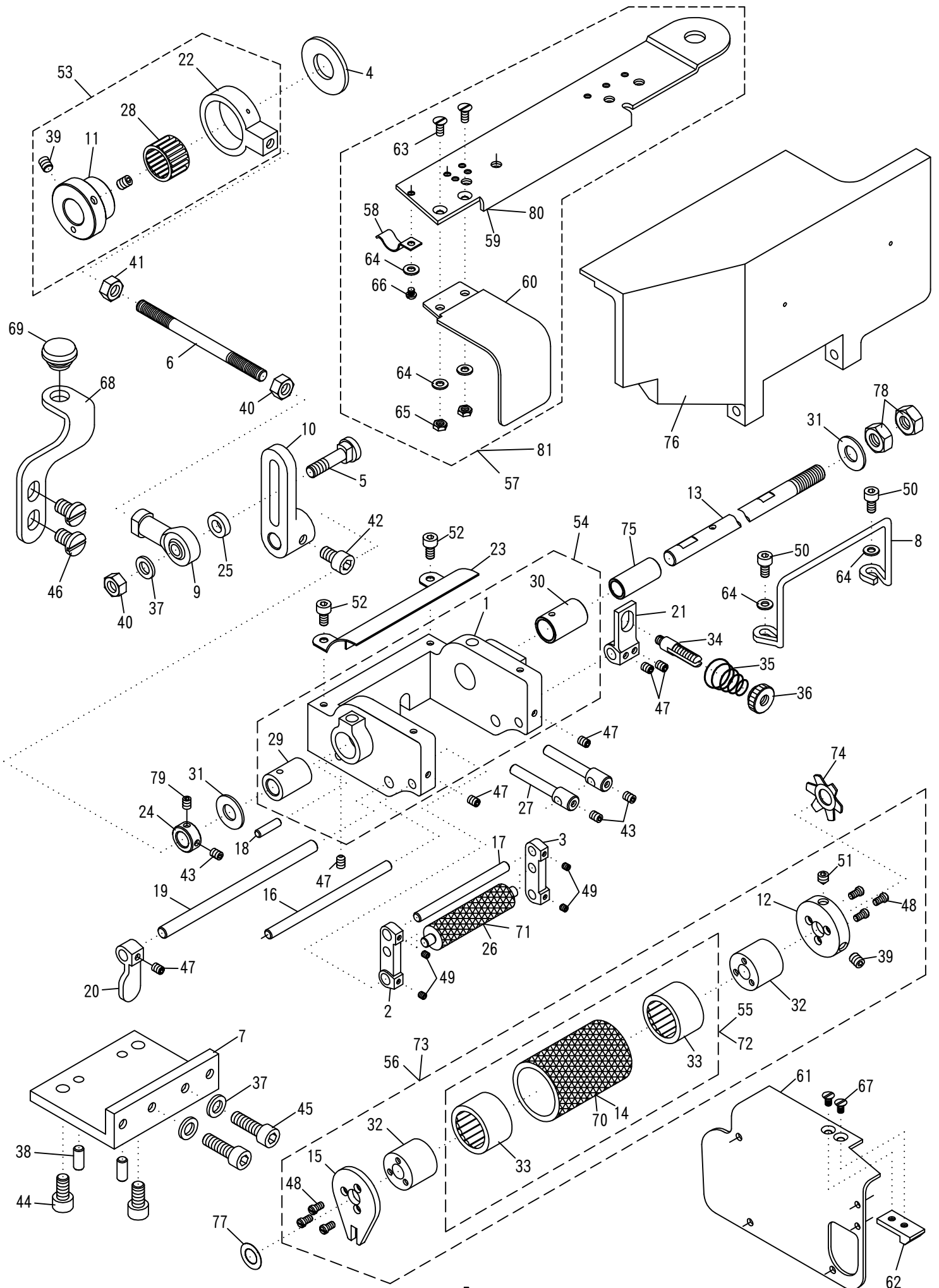
2. PMD01/PMD02 下送式送料装置 Metering Device Mechanism For PMD01/PMD02



2.PMD01/PMD02 下送式送料裝置 Metering Device Mechanism For PMD01//PMD02

序號 Ref.No.	物料編號 Parts No.	名稱 Description	單位用量 Amt. Req.
1	4PMD010101	滾輪底座 Bracket -----	1
2	4PMD010102	左連桿 Link (Left) -----	1
3	4PMD010103	右連桿 Link (Right) -----	1
4	4PMD010104	墊圈 Washer -----	1
5	4PMD010105	螺樁 Stud -----	1
6	4PMD010106	螺樁 Stud -----	1
7	4PMD010107	定位塊 Bracket -----	1
8	4PMD010108	支架 Holder Bracket -----	1
9	4PMD010109	球軸連桿 Ball Link -----	1
10	4PMD010110	連結塊 Connection Block -----	1
11	4PMD010111	偏心輪 Eccentric -----	1
12	4PMD010112	封蓋 Cover -----	1
13	4PMD0101131	軸 Shaft -----	1
*14	4PMD010114	主動滾輪 Up Feed Roller -----	1
15	4PMD010115	封蓋 Cover -----	1
16	4PMD010116	軸 Shaft -----	1
17	4PMD010117	軸 Shaft -----	1
18	4PMD010118	銷 Pin -----	1
19	4PMD010119	軸 Shaft -----	1
20	4PMD010120	釋壓板手 Press Release -----	1
21	4PMD010121	調壓臂 Spring Holder -----	1
22	4PMD010122	連桿 Link -----	1
23	4PMD010123	檔片 Chain-off Guide -----	1
24	4PMD010124	定位環 Collar -----	1
25	4PMD010125	墊圈 Washer -----	1
*26	4PMD010126	從動滾輪 Lower Feed Roller -----	1
27	4PMD010127	軸 Shaft -----	2
28	90NB222610	軸承 Bearing (SH0516)-----	1
29	4PMD010129	軸襯 Bushing -----	1
30	4PMD0101301	軸襯 Bushing -----	1
31	2310001301	墊圈 Washer -----	2
32	2310001304	離合器 Clutch -----	2
33	90NB2026161	單向滾針軸承 Needle Bearing (RP1A0219)-----	2
34	2210090308	調節螺樁 Adjusting Stud (F090308)-----	1
35	4PMD010135	彈簧 Spring -----	1
36	2100051134	調節螺帽 Adjusting Nut (SH11-34)-----	1
37	2100000323	墊圈 Washer (SH0323)-----	3
38	4RP0010103	銷 Pin (RP10103) -----	2
39	8MN05320600A	螺絲 Screw (MT0729 M5-0.8*6) -----	2

2. PMD01/PMD02 下送式送料装置 Metering Device Mechanism For PMD01/PMD02

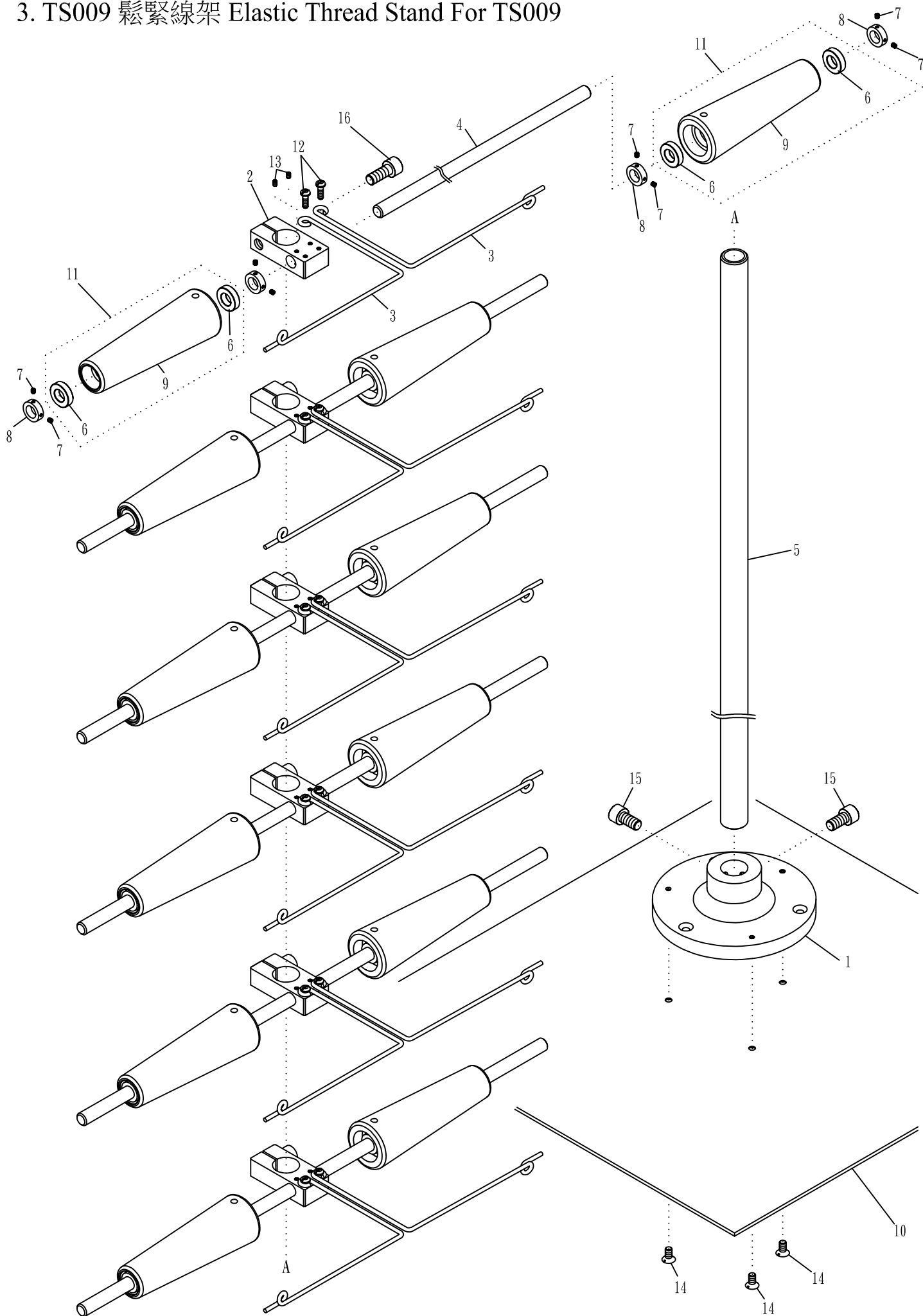


2.PMD01/PMD02 下送式送料裝置 Metering Device Mechanism For PMD01//PMD02

序號 Ref.No.	物料編號 Parts No.	名稱 Description	單位用量 Amt. Req.
40	8MA06400510A	螺帽 Nut (CT0533 M6-1*5) -----	2
41	8MA06400510B	左旋螺帽 Nut (MT1641 M6-1*5) -----	1
42	8MM06401010A	螺絲 Screw (MT0419 M6-1*10) -----	1
43	8MN04280500A	螺絲 Screw (MT1334 M4-0.7*5) -----	3
44	8MM06401210A	螺絲 Screw (FT1103 M6-1*12) -----	2
45	8MM06402010A	螺絲 Screw (SH0444 M6-1*20) -----	2
46	8MB04280607K	螺絲 Screw (MT0233 M4-0.7*6) -----	2
47	8MN04280400A	螺絲 Screw (CT0229 M4-0.7*4) -----	6
48	8SB32440604A	螺絲 Screw (MT1332 1/8"-44*6) -----	6
49	8MN03200300A	螺絲 Screw (CT0115 M3-0.5*3) -----	4
50	8MM04281007A	螺絲 Screw (FT0203 M4-0.7*10) -----	2
51	8MN05320600C	螺絲 Screw (C350248 M5-0.8*6) -----	1
52	8MM04280607A	螺絲 Screw (MT1134 M4-0.7*6) -----	2
53	4PMD01A0153	偏心輪組 Eccentric Asm. -----	1
54	4PMD01A01541	滾輪底座組 Bracket Asm. -----	1
*55	4PMD01A0155	主動滾輪組 Feed Roller Asm. -----	1
*56	4PMD01A0156	離合器組 Clutch Asm. -----	1
57	4PMD01A0157	下座外蓋組 Cloth Plate Asm.-----	1
58	4PMD010158	簧片 Spring -----	1
59	4PMD010159	下座外蓋 Cloth Plate -----	1
60	4PMD010160	下座前蓋 Cover -----	1
61	4PMD010161	下座外蓋 Cloth Plate -----	1
62	4PMD010162	固定座 Bracket -----	1
63	8ME04281008A	螺絲 Screw (FT0218 M4-0.7*10) -----	2
64	2100000223	墊圈 Washer (SH0223)-----	5
65	8MA04280307A	螺絲 Screw (CT0238 M4-0.7*3) -----	2
66	8MB85240406K	螺絲 Screw (PMD010166 M3.5-0.6*4) -----	1
67	8ME04280708A	螺絲 Screw (CT0206 M4-0.7*7) -----	2
68	4PMD010168	固定座 Bracket -----	1
69	2100001213	防震墊 Rubber Plug -----	1
**70	4PMD010170	主動滾輪 Up Feed Roller (優力膠平輪) -----	1
**71	4PMD010171	從動滾輪 Lower Feed Roller (優力膠平輪) -----	1
**72	4PMD01A0172	主動滾輪組 Feed Roller Asm. -----	1
**73	4PMD01A0173	離合器組 Clutch Asm. -----	1
74	4PMD010174	星形壓環 Clutch Tension Spring -----	1
75	4PMD010175	軸套 Clutch Tension Sleeve -----	1
76	4PMD010176	前蓋 Front Cover -----	1
77	4UTB010459	墊圈 Washer -----	1
78	8MA08500613A	螺帽 Nut (RP0208 M8-1.25*6) -----	2
79	8MN04280600C	螺絲 Screw (CT1104 M4-0.7*6) -----	1
◎80	4PMD010159	下座外蓋 Cloth Plate -----	1
◎81	4PMD01A0157	下座外蓋組 Cloth Plate Asm.-----	1

- *: 壓花滾輪用於 PMD01
- ** : 平輪無壓花用於 PMD02
- ◎: PMD+UT機型用

3. TS009 鬆緊線架 Elastic Thread Stand For TS009



3. TS009 鬆緊線架 Elastic Thread Stand For TS009

序號 Ref.No.	物料編號 Parts No.	名稱 Description	單位用量 Amt. Req.
1	4TS0090101	基座 Base -----	1
2	4TS0090102	連接塊 Connecting Block -----	6
3	4TS0090103	導線架 Thread Guide -----	12
4	4TS0090104	支撐桿 Holder -----	6
5	4TS0090105	支撐桿 Holder -----	1
6	90BB1019052	滾珠軸承 Ball Bearing -----	24
7	8MN03200300A	螺絲 Screw (CT0115 M3-0.5*3) -----	48
8	4TS0090108	隔環 Spacer -----	24
9	4TS0090109	滾輪 Roller -----	12
10	4TS0090110	底板 Base Plate -----	1
11	4TS009A0111	滾輪組 Roller Asm. -----	12
12	8MB04281207K	螺絲 Screw (CT0239 M4-0.7*12) -----	12
13	8MN04280400A	螺絲 Screw (CT0229 M4-0.7*4) -----	12
14	8ME05321010A	螺絲 Screw (FTC10116 M5-0.8*10) -----	3
15	8MM08501613A	螺絲 Screw (C7420308 M8-1.25*16) -----	2
16	8MM08502013A	螺絲 Screw (CT0106 M8-1.25*20) -----	6